



HF-Performer III for TL5 lamps

HF-P 3/4 14 TL5 III 220-240V 50/60Hz IDC

HF-Performer III TL5 ballasts offer maximum versatility and meet all of the necessary commercial grade specifications. They also offer the added benefits of lamp striation reduction technology, making these ballasts compatible with energy-saving TL5 ECO lamps. As such, these ballasts are part of an overall high-efficiency lighting system that may help you or your customers to achieve any international or local energy code you need to comply with. HF-Performer III TL5 ballasts are the ideal choice for a broad range of new construction and retrofit applications within the commercial sector, including general surface mounting or office lighting, parking garages, warehouses, waterproof and other applications. The ballast is primarily designed for Indoor application. For outdoor application, the luminaire should be minimum Classland need to be sufficiently protected against water & dust. The installation should also be guard against any lightening surge or any other necessary electrical protection as deemed in such typical installation & application.

Product data

General Information		Operating and Electrical	
Application Code	III	Operating Frequency (Nom)	46 kHz
Type Version	IDC	Ignition Method	Programmed Start
Lamp Type	TL5	Crestfactor (Max)	1.7
Number of Lamps	3/4 piece/unit	Power Factor 100% Load (Nom)	0.99
Number of Products on MCB (16A Type B) (Nom)	28	Preheat Time	0.5 s
Automatic Restart	Yes	Ignition Time (Max)	0.9 s
		Mains Voltage Performance (AC)	-8%~+6%
		Mains Voltage Safety (AC)	-10%~+10%
		Earth Leakage Current (Nom)	0.5 mA
		Inrush Current Width	0.25 ms
		Constant Wattage Deviation	-2%/+2%
		Ballast Factor (Nom)	1.0
Input Voltage	220 to 240 V		
Input Frequency	50 to 60 Hz		

HF-Performer III for TL5 lamps

Power Losses (Nom)	3.5-5.0 W
Inrush Current Peak (Max)	24 A

Wiring

Connector Type Input Terminals	WAGO 251 universal connector [Suitable for both automatic wiring (ALF and ADS) and manual wiring]
Cable Capacity Output Wires Mutual (Nom)	200 pF
Connector Type Output Terminals	WAGO 251 universal connector [Suitable for both automatic wiring (ALF and ADS) and manual wiring]
Cable Length Hot Wiring	0.75 m
Wire Striplength	8.0-9.0 mm
Dual Fixture Master/Slave	Not applicable [Master/Slave oper. not applicable]
Input Terminal Cross Section	0.50-1.50 mm ²
Output Terminal Cross Section	0.50-1.50 mm ²
Cable Capacity Output Wires to Earth (Nom)	200 pF

System characteristics

Rated Ballast-Lamp Power	14 W
Rated Lamp Power on TL5	14 W
System Power on TL5	45W@3x14 W; 61W@4x14 W
Lamp Power on TL5	41.5W@3x14 W; 56W@4x14 W
Power Loss on TL5	3.5W@3x14 W; 5W@4x14 W
System Power on TL5 ECO	41.5W@3x14 W; 54.5W@4x14 W
Lamp Power on TL5 ECO	38W@3x14 W; 50.5W@4x14 W
Power Loss on TL5 ECO	3.5W@3x14 W; 4W@4x14 W

Temperature

T-Ambient (Max)	60 °C
T-Ambient (Min)	-25 °C
T-Storage (Max)	50 °C
T-Storage (Min)	-40 °C
T-Case Lifetime (Nom)	80 °C
T-Case Maximum (Max)	80 °C
T-Ignition (Max)	60 °C
T-Ignition (Min)	-25 °C

Mechanical and Housing

Housing	L 280x40x21
---------	-------------

Emergency Operation

Nominal Light Output After 60 Seconds	100% of EBLF
---------------------------------------	--------------

Battery Voltage Lamp Ignition	176-275 V
Normal Operating Voltage (DC)	220-240 V
Battery Voltage Lamp Operation	186-275
Battery Voltage Guaranteed Operation	176-275 V
Battery Voltage Guaranteed Ignition	186-275 V
Emergency Ballast Lumen Factor (EBLF) (Nom)	100 %
Nominal Light Output After 5 Seconds	50% of EBLF

Approval and Application

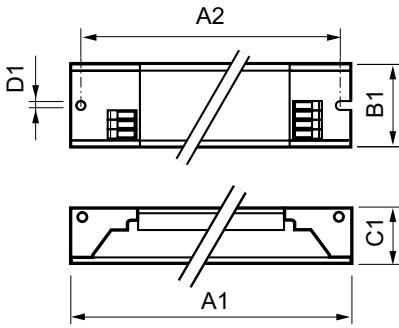
Energy Efficiency Index	A2 BAT
IP Classification	IP 20 [Ingress Protection 20]
EMI 9 kHz ... 30 MHz	EN55015
EMI 30 MHz ... 1000 MHz	EN55022 level B
Safety Standard	IEC 61347-2-3
Performance Standard	IEC 60929
Quality Standard	ISO 9000:2000
Environmental Standard	ISO 14001
Harmonic Current Emission Standard	IEC 61000-3-2
EMC Immunity Standard	IEC 61547
Vibration Standard	IEC68-2-6 F c
Bumps Standard	IEC 68-2-29 Eb
Humidity Standard	EN 61347-2-3 clause 11
Approval Marks	CE marking ENEC certificate VDE-EMV certificate
Temperature Marking	Yes
Emergency Standard	IEC 60598-2-22
Hum And Noise Level	< 30 dB(A)

Product Data

Full product code	871829172125300
Order product name	HF-P 3/4 14 TL5 III 220-240V 50/60Hz IDC
EAN/UPC - Product	8718291721253
Order code	913713033966
Numerator - Quantity Per Pack	1
Numerator - Packs per outer box	10
Material Nr. (12NC)	913713033966
Net Weight (Piece)	0.195 kg

HF-Performer III for TL5 lamps

Dimensional drawing



HF-P 3/414 TL5 III 220-240V 50/60Hz IDC

Product	D1	C1	A1	A2	B1
HF-P 3/4 14 TL5 III 220-240V 50/60Hz IDC	4.2 mm	21.0 mm	280.0 mm	265.0 mm	39.0 mm

