



TUV T5

TUV 64T5 SP UNP

TUV T5 lamps are single- or double-ended UVC (germicidal) lamps used in professional water and air disinfection units. The small 16 mm diameter of the lamp allows for a small system design and design flexibility. TUV T5 lamps offer constant UV output over their complete lifetime, for maximum security of disinfection and high system efficacy.

Product data

• General Characteristics

System Description	High Efficiency
Cap-Base	Single Pin
Cap-Base Information	Single Pin
Bulb	T5 [T5]
Main Application	Disinfection
Useful Life	9000 hr

• Light Technical Characteristics

Color Code	-
Color Designation (text)	-

• Electrical Characteristics

Watts	75 W
Lamp Wattage Technical	75 W
Lamp Voltage	176 V
Lamp Current	0.425 A

• UV-related Characteristics

UV-C Radiation	31 W
----------------	------

• Product Dimensions

Reference Length A	1550.6 (min), 1553.6 (nom), 1556.6 (max) mm
Overall Length C	1568.1 (min), 1571.6 (nom), 1575.1 (max) mm
Diameter D	19 (max) mm
Arc Length O	1473 mm

• Product Data

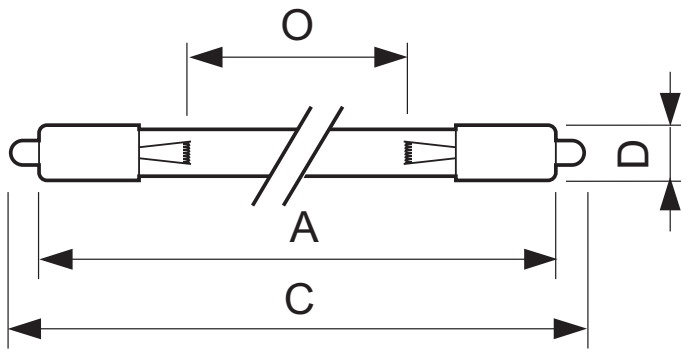
Product number	292698
Full product name	TUV 64T5 HE SP UNP
Short product name	TUV 64T5 HE SP UNP
Pieces per Sku	1
eop_pck_cfg	32
Skus/Case	32
Bar code on pack	8711500640796
Bar code on case	8711500640802
Logistics code(s)	927970504099
eop_net_weight_pp	156.000 gr

Dimensional drawing

PHILIPS

sense and simplicity

Dimensional drawing



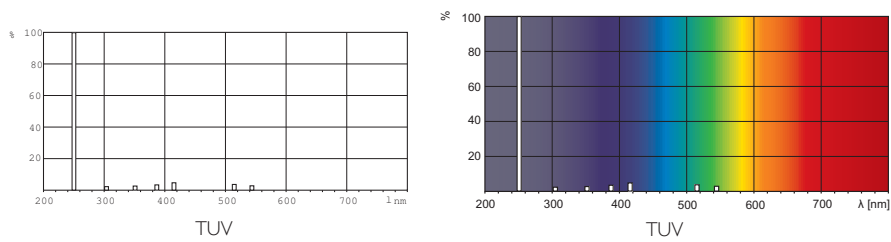
TUV 64T5 SP UNP

Product	A (Min)	A (Norm)	A (Max)	B (Min)	B (Norm)	B (Max)	C (Min)	C (Norm)	C (Max)	D (Max)	O (Norm)
TUV 64T5 HE SP	-	-	1556.6	-	-	-	-	-	1575.1	18.6	1473



Single Pin

Photometric data



© 2013 Koninklijke Philips Electronics N.V.
All rights reserved.

Specifications are subject to change without notice. Trademarks are the property of Koninklijke Philips Electronics N.V. or their respective owners.

www.philips.com/lighting

2013, May 13
data subject to change