

PAR64 64739/4 MFL

Large PAR Halogen | Halogen lamps with parabolic reflector, including PAR36, PAR56, and PAR64, with pin base



Areas of application

- Concert Lighting
- Club & Disco
- Stage & Theatre
- Architecture & Architainment

Product features and benefits

- The parabolic glass reflector and the front lens are fused together
- High luminous intensity
- Available in different beam angles to ensure high flexibility
- Easy lamp replacement



Product datasheet

Technical data

General Product Information

Product remark	Beam angle: MFL = medium flood
Global order reference	PAR64 64739/4 MFL

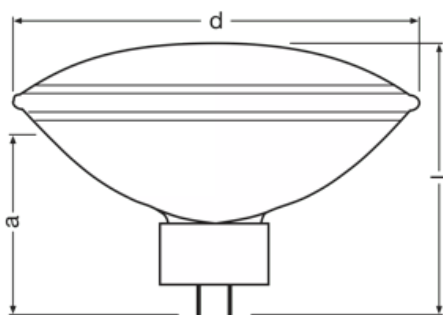
Electrical Data

Nominal wattage	1000 W
Nominal voltage	240 V

Photometric Data

Useful luminous flux (Φ_{use})	15800 lm
Φ_{use} value refers to luminous flux	90
Peak luminous intensity	116000
Color temperature	3200 K
Correlated color temperature CCT	3090 K
Chromaticity coordinate x	0.430
Chromaticity coordinate y	0.402
Color rendering index Ra	100
Beam type	MFL

Physical Attributes & Dimensions



Lamp base	GX16d
Diameter	204.0 mm
Length	152.4 mm
Product weight	790.00 g

Operating Conditions

Burning position	hs30 ¹⁾
------------------	--------------------

Product datasheet

Dimmable	Yes
Max. permitted ambient temp. pinch point	350 °C

¹⁾ Do not tilt perpendicular to the filament

Lifetime Data

Nominal lifetime	300 hr
-------------------------	--------

Environmental & Regulatory Information

Information according Art. 33 of EU Regulation (EC) 1907/2006 (REACH)	
Primary article identifier	4062172359252
Energy efficiency class	G
Declaration no. in SCIP database	No declarable substances contained
Candidate list substance 1	No declarable substances contained

Product datasheet

Safety advice

To prevent personal injury or damage to property, halogen lamps may only be operated in suitable luminaires designed with suitable mechanisms (cover panel etc.) to ensure that in the event of a lamp bursting no parts/shards can escape and that during operation no ultraviolet radiation can escape. Because of the heat produced only heat-resistant lamp connections (holders) may be used. Do not operate near people, or any materials that are flammable, sensitive to heat or affected by drying out. Detailed information is available on request.

Logistical Data

Product code	Product description	Packaging unit (Pieces/Unit)	Dimensions (length x width x height)	Volume	Gross weight
4062172359252	PAR64 64739/4 MFL	Folding carton box 1	179 mm x 179 mm x 204 mm	6.54 dm ³	1069.00 g
4062172359269	PAR64 64739/4 MFL	Shipping carton box 6	594 mm x 411 mm x 265 mm	64.70 dm ³	7454.00 g

The mentioned product code describes the smallest quantity unit which can be ordered. One shipping unit can contain one or more single products. When placing an order, for the quantity please enter single or multiples of a shipping unit.

Disclaimer

Subject to change without notice. Errors and omission excepted. Always make sure to use the most recent release.
